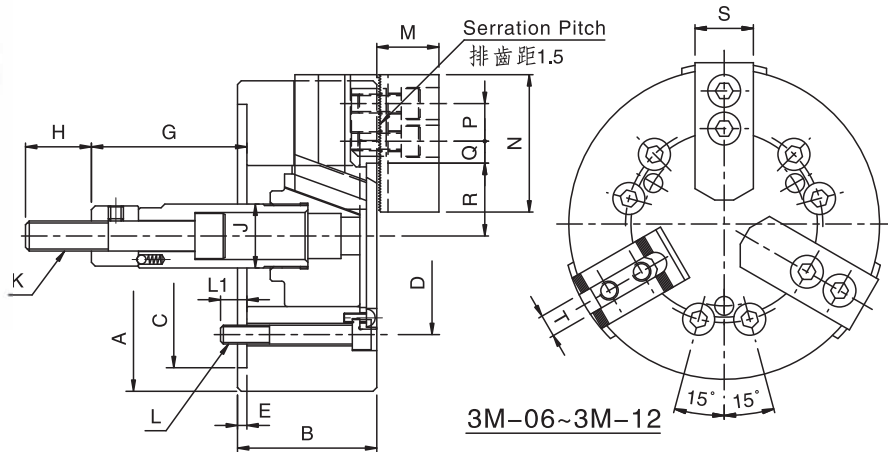
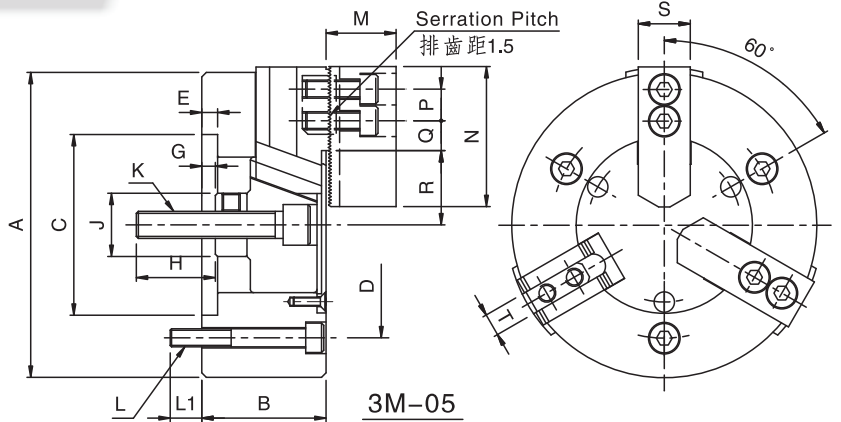


3M SERIES

中實長爪行程夾頭

LONG JAW STROKE POWER CHUCK



- It's a WEDGE-HOOK type 3-jaw power chuck, and extra long jaw stroke.
- Matching surfaces of all parts hardened, ground and lubricated directly.
- Construction of high rigidity and high clamping accuracy

規格 Spec 型號 Model	楔心行程 Plunger stroke (mm)	爪行程 (直徑) Jaw stroke(Dia.) (mm)	夾持直徑 chucking Dia.(mm)		容許油壓缸推力 Max D.B.pull KN(kgf)	最大夾持力 Max clamping force (kgf)	最高回轉速 max r.p.m	慣性矩 kg·m ²	重量 (kg) Weight	適用油壓缸 Matching cyl	最大使用壓力 Max pressure Mpa(kgf/cm ²)
			最大Max	最小Min							
3M-05	15	10.9	135	14	9.8(1000)	16.4(1670)	4500	0.02	6.0	SNK-75	2.7(27)
3M-06	20	14.5	165	14	21.6(2200)	36(3680)	4000	0.04	12.2	SNK-100	3.0(30)
3M-08	23	16.7	210	17	29.4(3000)	54.9(5600)	3500	0.13	23.0	SNK-125	2.9(29)
3M-10	27	19.6	254	22	39.2(4000)	74(7550)	3000	0.30	34.3	SNK-150	2.8(28)
3M-12	30	21.8	304	26	54(5500)	99(10100)	2500	0.71	59.4		3.6(36)

寸法 Size 型號 Model	A	B	C(H6)	D	E	Gmax	Gmin	H	J
3M-05	135	55	80	100	7	6	-9	35	28
3M-06	165	74	140	104.8		101.5	81.5		34
3M-08	210	85	170	133.4	5	129	106	36	38
3M-10	254	89		171.4		160	133		45
3M-12	304	106			6	70	40	46	50

寸法 Size 型號 Model	K	L	L1	M	N	P	Q max	Q min	R max	R min	S	T
3M-05	M12X1.75	3~M8	14	31	62	14	17.0	5.5	32.9	27.45	25	10
3M-06	M16X2	6~M10		37	73	20	17.6	7.0	38.7	31.4	31	12
3M-08	M20X2.5	6~M12	20	38	95	25	22.8	8.8	47.5	39.1	35	14
3M-10		6~M16	18	43	110	30	33.0	12.8	53.9	44.1	40	16
3M-12	M24X3			51	130	30	47.8	13.3	62.5	51.6	50	21

* 保留技術更改的權利，恕不另行通知 Subject to technology changes without prior information
 * 非標準需求可訂做 Non-standard requirements can be made